

Installation Instructions

1500i/1500iW/G2-1500i Wall Guard

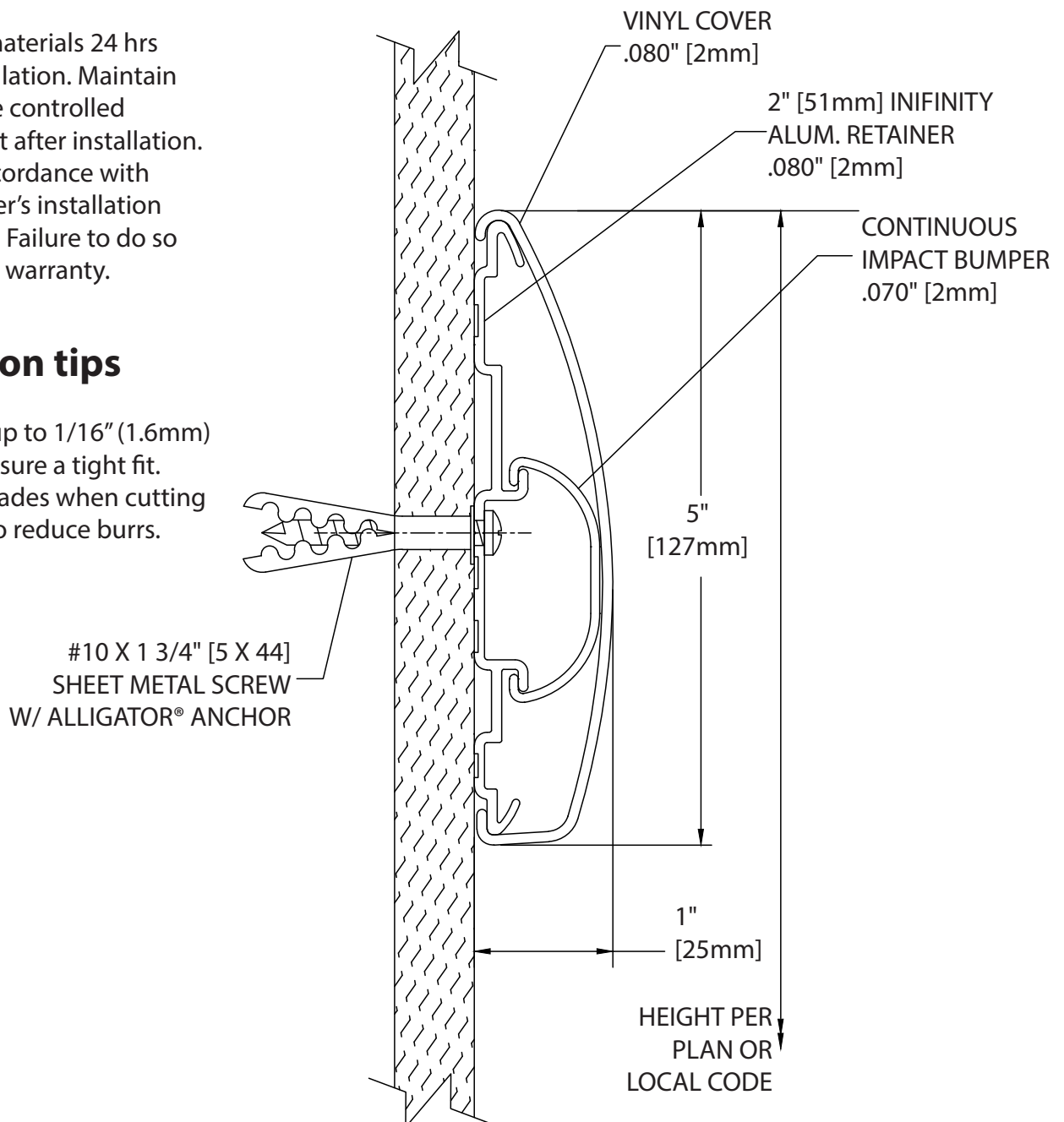
Please read all instructions before installing wallguard.

Important

1. Acclimate materials 24 hrs before installation. Maintain temperature controlled environment after installation.
2. Install in accordance with manufacturer's installation instructions. Failure to do so will void the warranty.

Installation tips

1. Cut covers up to 1/16" (1.6mm) longer to ensure a tight fit.
2. Lubricate blades when cutting aluminum to reduce burrs.



Recommended tools

Safety Glasses, Tape Measure, Level, Phillips and Flat head Screwdrivers, Power Drill, Drill Bits - 1/4" masonry (concrete/concrete block), Power Miter Saw, 10" Blade with 60-80 Carbide Tipped Teeth.

IPC.425/REV.10

Installation Hotline • 866.EZINPRO
Inprocorp.com • 800.222.5556 • 262.679.9010
World Headquarters S80 W18766 Apollo Drive, Muskego, WI 53150 USA

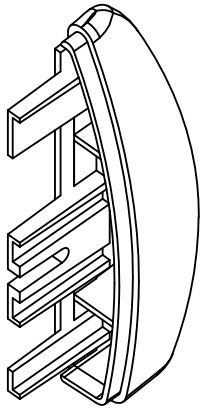
IPC® •
DOOR + WALL PROTECTION SYSTEMS
A DIVISION OF INPRO®

Installation Instructions

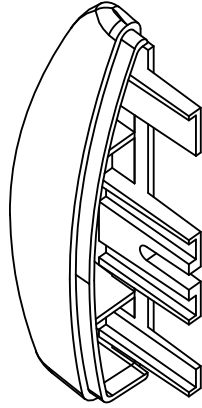
1500i/1500iW/G2-1500i Wall Guard

Please read all instructions before installing wallguard.

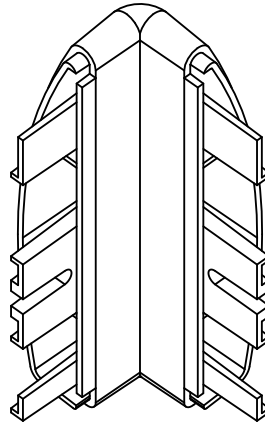
PARTS



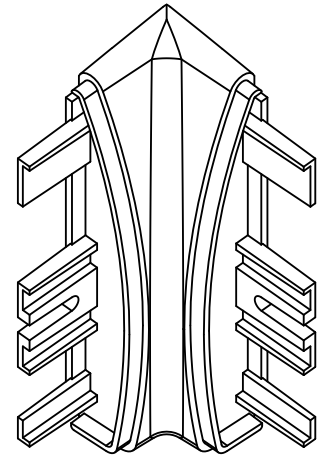
1501R
RIGHT END CAP



1501L
LEFT END CAP



1502
OUTSIDE CORNER



1503
INSIDE CORNER



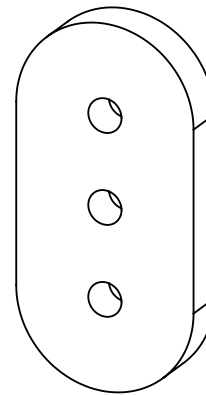
1500V
COVER



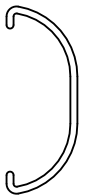
1500AI
2" ALUMINUM
INFINITY RETAINER



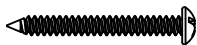
1500RVL
REVEAL



1601
(OPTIONAL)
RUBBER
SPACER



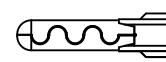
1400B
IMPACT BUMPER



#10 X 1 3/4" [5 X 44]
SHEET METAL SCREW



#8 X 1 1/2" [4 X 38]
PHILLIPS INDENTED
HEX WASHER SELF-
DRILLING SCREW



ALLIGATOR
ANCHOR

| Wall Condition | Specified Fasteners | Inpro Part # |
|----------------------|---|--------------|
| Profile Hardware Kit | #10 x 1 3/4" PHILLIPS PAN SHEET METAL SCREW W/ ALLIGATOR ANCHOR | HWK-WG |

Installation Hotline • 866.EZINPRO
 Inprocorp.com • 800.222.5556 • 262.679.9010
 World Headquarters S80 W18766 Apollo Drive, Muskego, WI 53150 USA

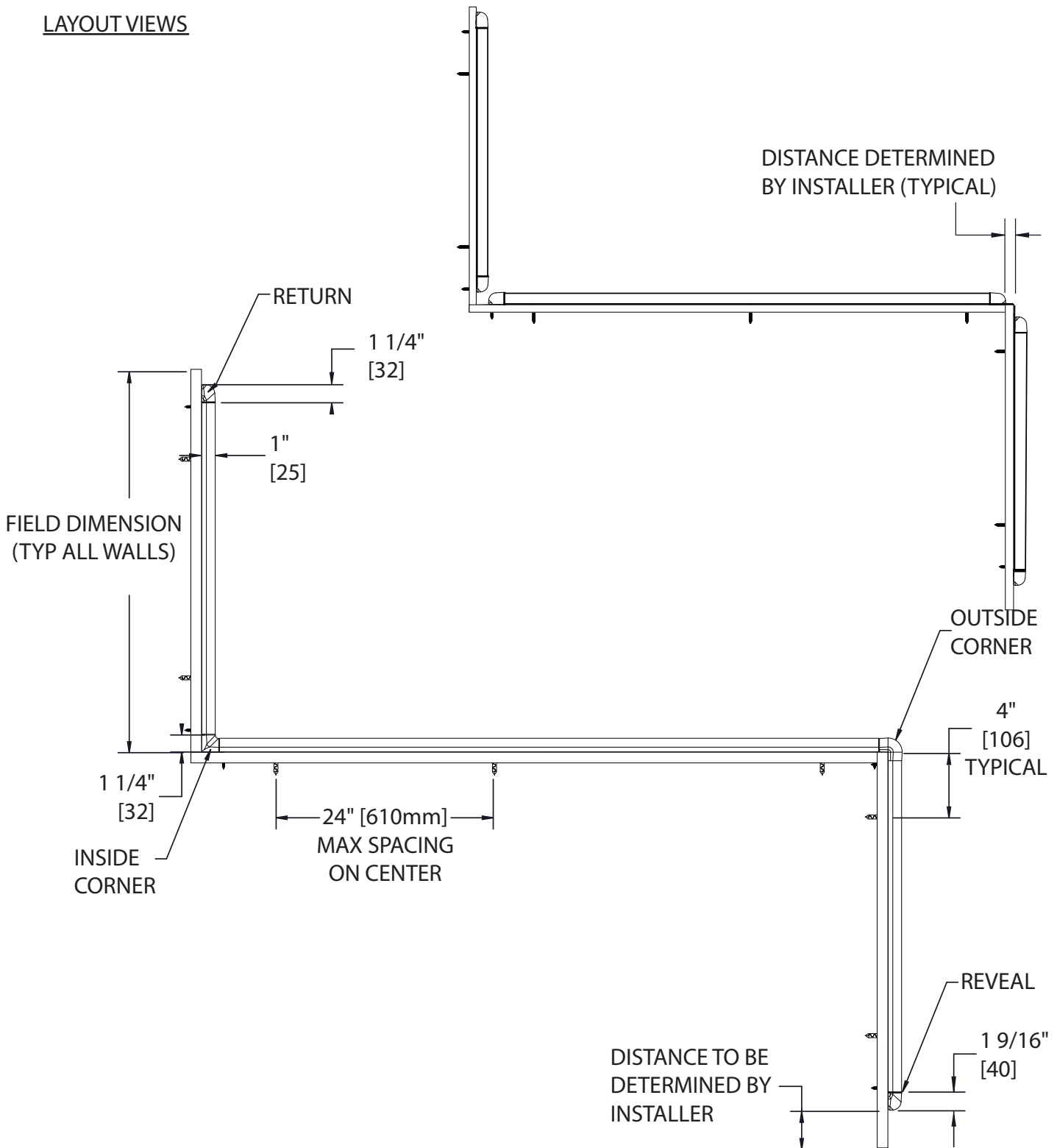
IPC®
 DOOR + WALL PROTECTION SYSTEMS
 A DIVISION OF INPRO®

Installation Instructions

1500i/1500iW/G2-1500i Wall Guard

Please read all instructions before installing wallguard.

LAYOUT VIEWS



Installation Hotline • 866.EZINPRO

Inprocorp.com • 800.222.5556 • 262.679.9010

World Headquarters S80 W18766 Apollo Drive, Muskego, WI 53150 USA

IPC®

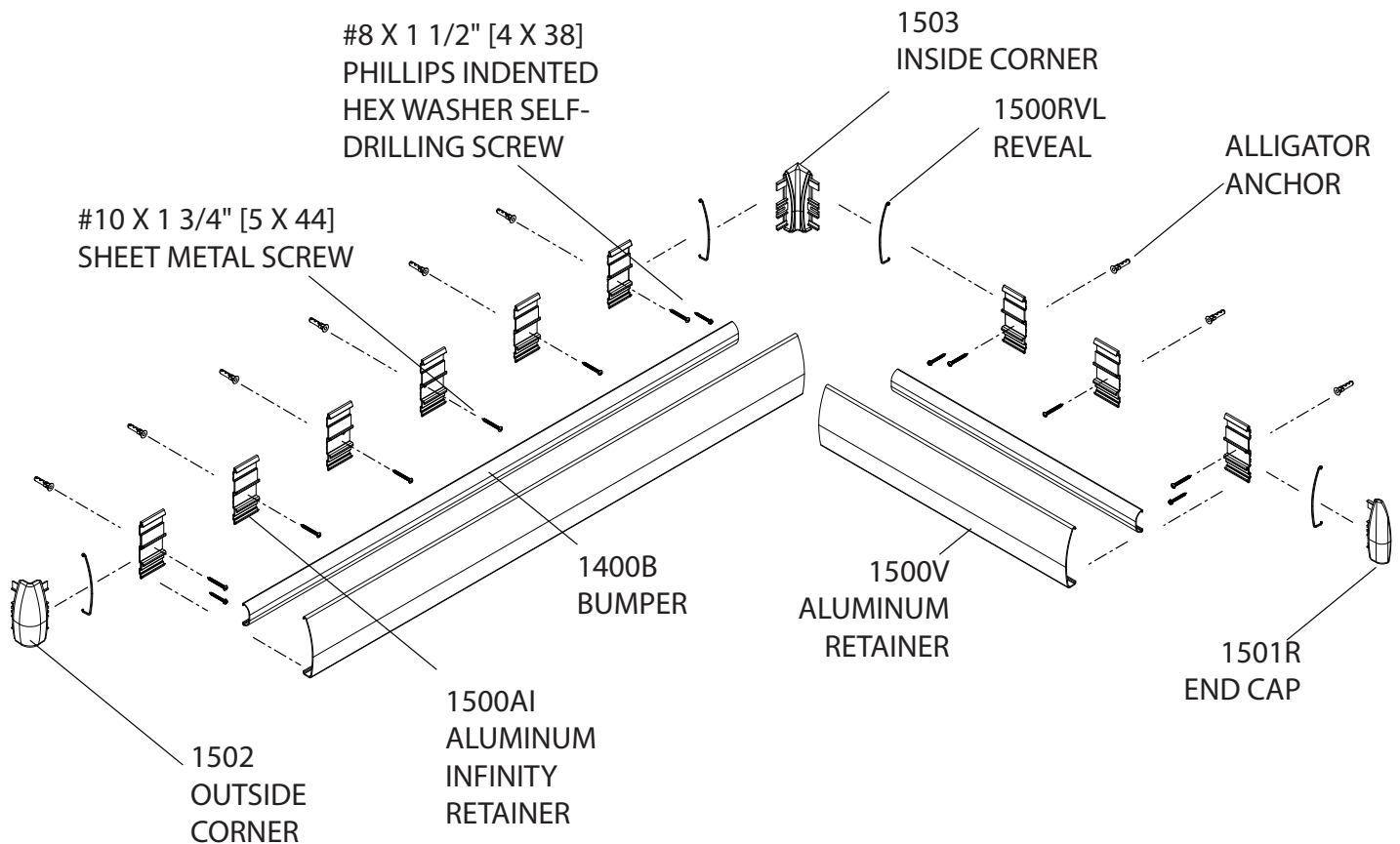
DOOR + WALL PROTECTION SYSTEMS
A DIVISION OF INPRO®

Installation Instructions

1500i/1500iW/G2-1500i Wall Guard

Please read all instructions before installing wallguard.

EXPLODED VIEW



Installation Hotline • 866.EZINPRO

Inprocorp.com • 800.222.5556 • 262.679.9010

World Headquarters S80 W18766 Apollo Drive, Muskego, WI 53150 USA

IPC®

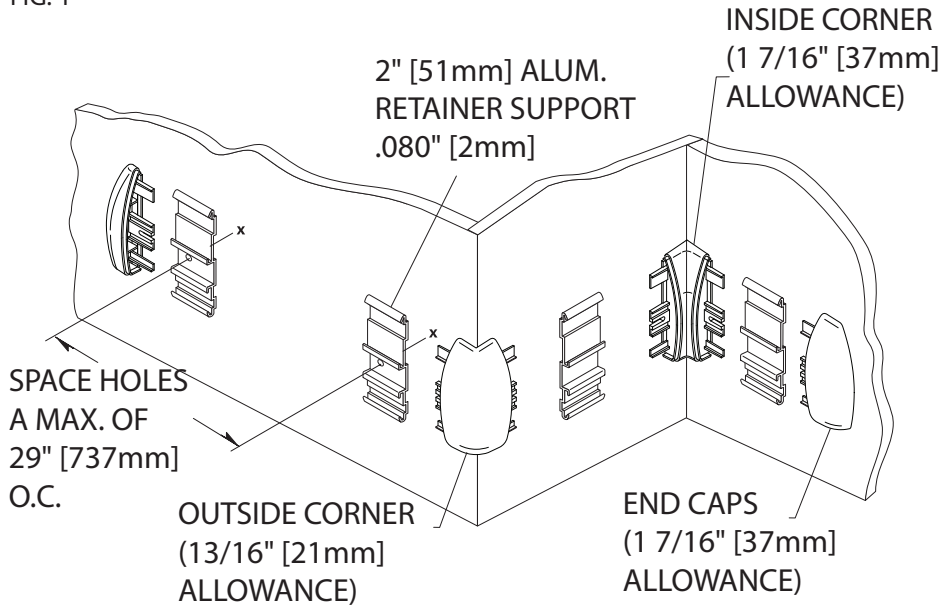
DOOR + WALL PROTECTION SYSTEMS
A DIVISION OF INPRO®

Installation Instructions

1500i/1500iW/G2-1500i Wall Guard

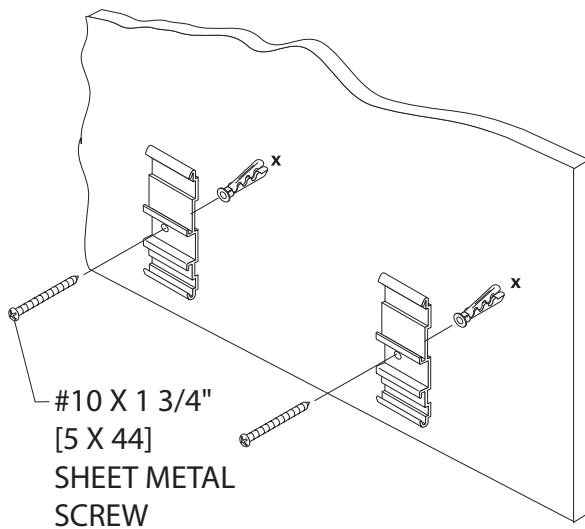
Please read all instructions before installing wallguard.

FIG. 1



1. Determine height of wall guard on wall. Measure down 2 1/2" [64mm] and snap chalk line. Mark mounting holes leaving allowance for returns, outside corners and inside corners. See Figure 1.

FIG. 2



2. Drill marked holes on wall using a 1/4" [6mm] drill bit and position Alligator anchors into holes. Mount retainer supports on wall and tighten screws to secure. NOTE: For concrete or brick wall installation, drill 1/4" [6mm] holes, 3/8" [10mm] from end of retainer for end caps/corners. See Figure 2.

Installation Hotline • 866.EZINPRO

Inprocorp.com • 800.222.5556 • 262.679.9010

World Headquarters S80 W18766 Apollo Drive, Muskego, WI 53150 USA

IPC®

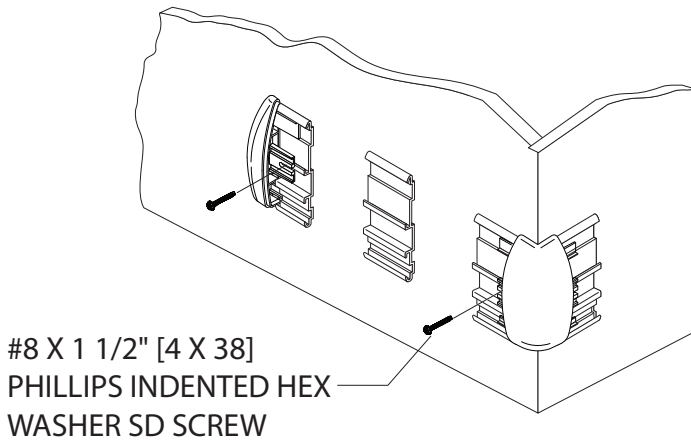
DOOR + WALL PROTECTION SYSTEMS
A DIVISION OF INPRO®

Installation Instructions

1500i/1500iW/G2-1500i Wall Guard

Please read all instructions before installing wallguard.

FIG. 3

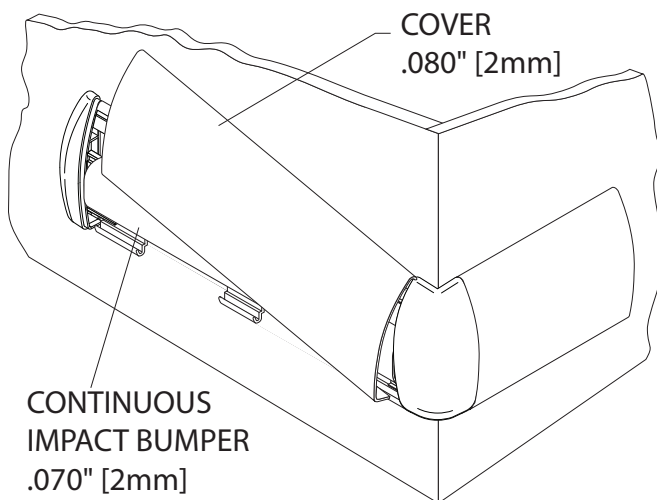


- Slide end caps and corners onto the retainer support and secure, leaving a 1/16" [1.5mm] gap between returns/corners and retainer to allow for adjustment.

See Figure 3.

NOTE: For concrete or brick wall installation, use #10 x 1 3/4" [5 x 44mm] Phillips screws to secure end caps and corners.

FIG. 4



- Cut the impact bumper to the length between the inside edge of the end caps/corners. Position and snap bumper in place. Cut the cover to length between end caps and/or corners. (Note: Trim factory edges square before installation). Position cover on retainer and adjust returns and/or corners for a tight fit. Starting at one end of retainer supports, push cover over the retainer supports until it snaps into place. See Figure 4.

Installation Hotline • 866.EZINPRO

Inprocorp.com • 800.222.5556 • 262.679.9010

World Headquarters S80 W18766 Apollo Drive, Muskego, WI 53150 USA

IPC®

DOOR + WALL PROTECTION SYSTEMS
A DIVISION OF INPRO®